

This drawing is the property of Garner Industries. It is issued in confidence on the condition that it is to be returned on request and that it is not to be copied or reproduced in any way, or used in the manufacture of the subject matter thereof without the written consent of Garner Industries.

DIMENSIONS ARE IN INCHES UNLESS NOTED OTHERWISE

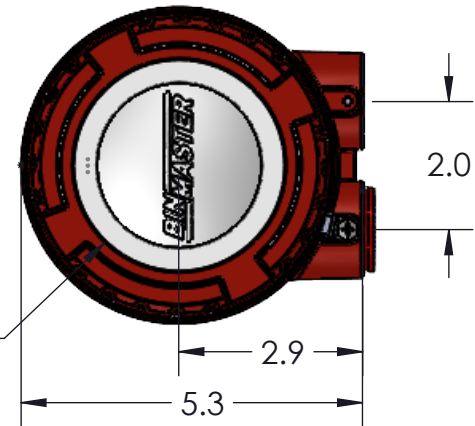


Division of Garner Industries / 2021 Transformation Dr, Suite 2230  
Lincoln, NE 68508 / (402) 434-9102 \ www.binmaster.com

NOTE: REMOTE ELECTRONICS, VERSION IS ALSO AVAILABLE

SHOWN WITH TRANSLUCENT LENS & LED INDICATOR LIGHT

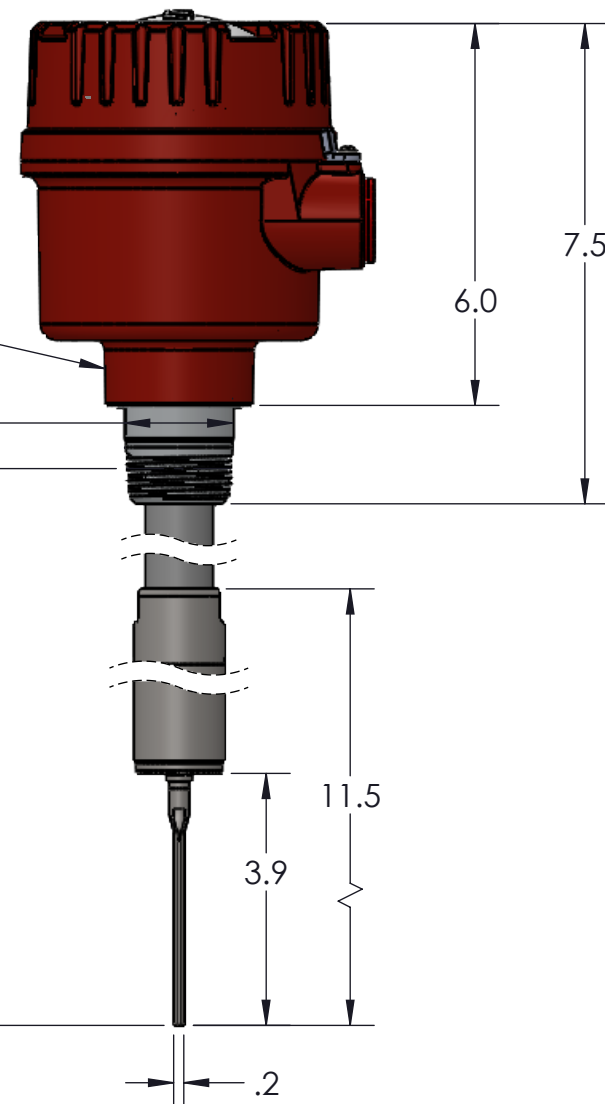
COVERED: ROTATING GREEN LEDS  
UNCOVERED: SOLID RED LEDS



ENCLOSURE BODY ROTATES 270° INDEPENDENTLY FROM VIBRATING ROD ALLOWING CONDUIT ENTRIES TO BE POSITIONED PROPERLY PER APPLICATION

1 11/16" WRENCH FLATS

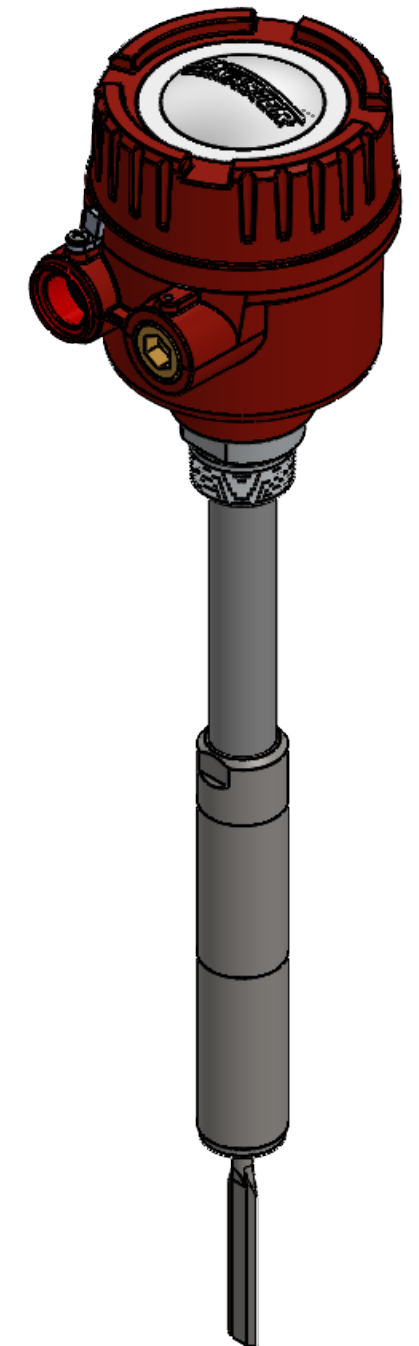
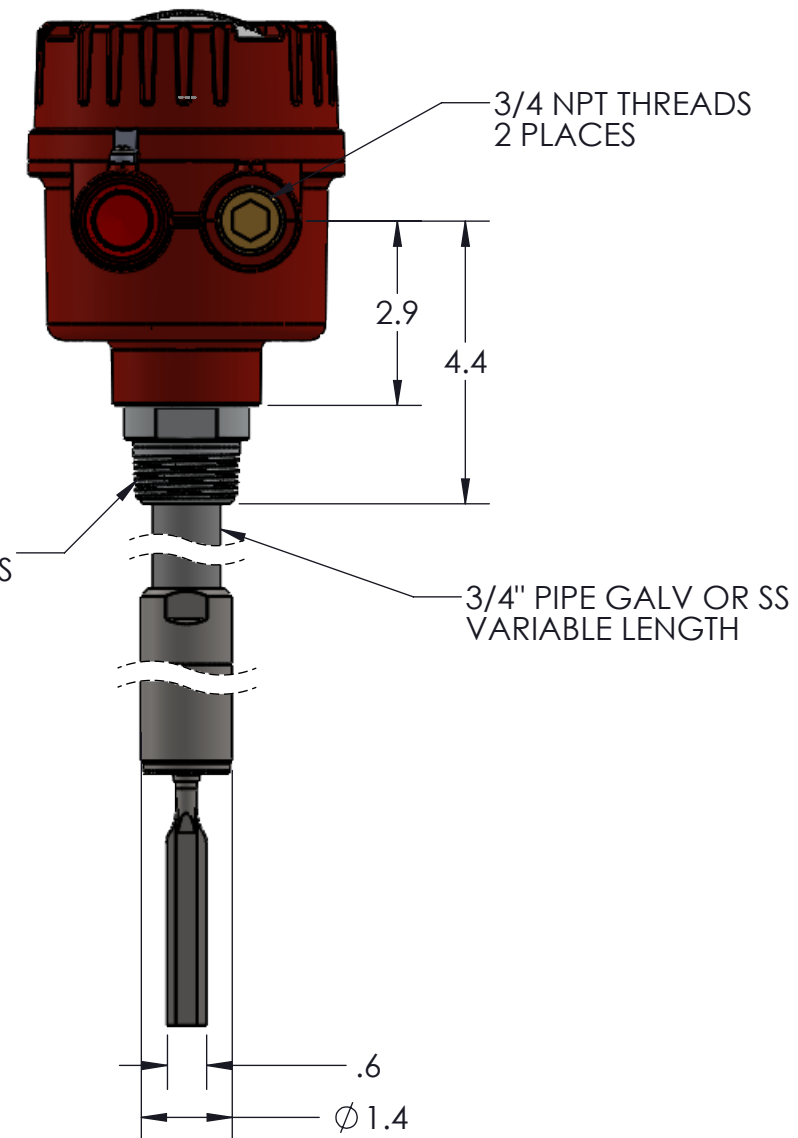
13" MIN. UP TO 78" MAX. INSERTION LENGTH (APPROXIMATE)



3/4 NPT THREADS 2 PLACES

1-1/4 NPT MOUNTING THREADS

3/4" PIPE GALV OR SS VARIABLE LENGTH

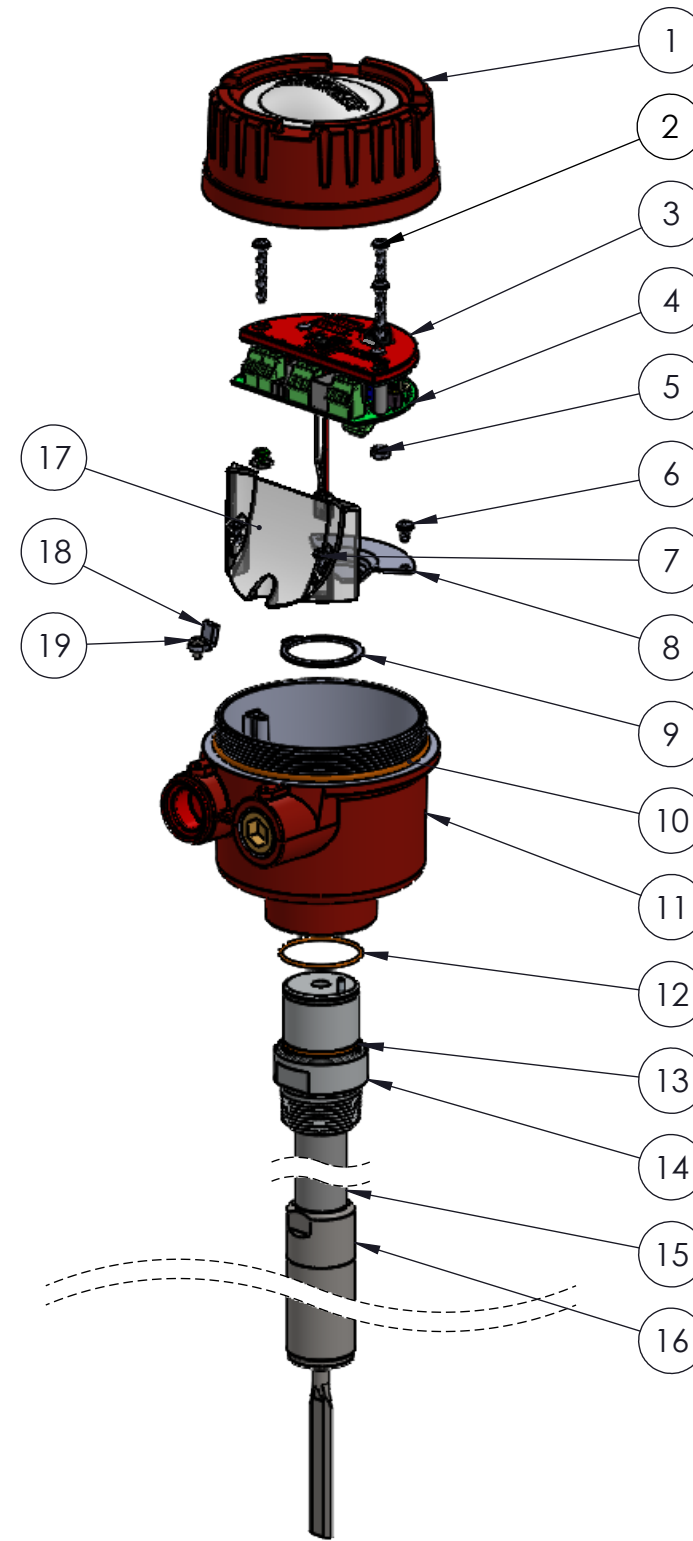


This drawing is the property of Garner Industries. It is issued in confidence on the condition that it is to be returned on request and that it is not to be copied or reproduced in any way, or used in the manufacture of the subject matter thereof without the written consent of Garner Industries.

DIMENSIONS ARE IN INCHES UNLESS NOTED OTHERWISE



Division of Garner Industries / 2021 Transformation Dr, Suite 2230  
Lincoln, NE 68508 / (402) 434-9102 \ www.binmaster.com



**Replacement Part List**

ITEM NO.	PartNo.	DESCRIPTION	QTY.
1	416-0816-R	ASSY, LIGHT RING LID	1
1	220-0480-R	ENCLOSURE, PAINTED CAP, BMRX-X00	1
2	110-0145	SCREW, PANHD 8-32 X 1-1/4 PHIL. SS. SEMS	3
3	416-0832-R	VRX LIGHT RING PCB COVER SUB-ASSEMBLY	1
4	530-0952-R	PCB ASSEMBLY 110-230VAC VRX STD/SED	1
4	530-0953-R	PCB ASSEMBLY 24VDC VRX STD/SED	1
5	140-0020	NUT, HEX KEPS 8-32 STNLS ST	1
6	110-0143	SCR, PANHD 8-32 X 3/8 PHIL. SS. SEMS	2
7	110-0007	SCREW PAN HEAD 8-32 X 3/8 PHILLIPS	2
8	270-0765	PLATE, ROTATIONAL STOP	1
9	165-0040	RING, EXTERNAL RET 1-5/16 SHAFT DIA. SS	1
10	203-0080	O'RING, .139 CORD X 4.234 I.D. , SILICONE, #244	1
11	416-0814	SUB ASSY, BMRX ENCLOSURE BODY	1
12	203-0089	O'RING, .070 CORD, 1.614 ID X 1.754 OD, SILICONE, #030	1
13	203-0088	O'RING, .070 CORD, 1.364 ID X 1.504 OD, SILICONE, #028	1
14	175-0311	COUPLING, 1.25 NPT VRX-41 PROCESS FITTING	1
15	175-0337-XX	VRX Extension GALV 3/4" DIA, CLOSE TO 78"	1
15	175-0336-XX	VRX Extension SS 3/4" DIA, CLOSE TO 78"	1
16	530-5635-R	VRX-41, VIB ROD, SLIM VERSION	1
17	299-0978	DIVIDER, ENCLOSURE WIRE GUIDE	1
18	299-0679	TAB, LOCKING, ENCLOSURE	1
19	110-0013	SCREW PAN HEAD PHILLIPS 8-32 X 5/16 SS	1

REVISION

-

TITLE: MTG DIM, VRX-41 1.25NPT VIBRATING ROD

DWG No.: 418-0320

SHEET  
2 of 2